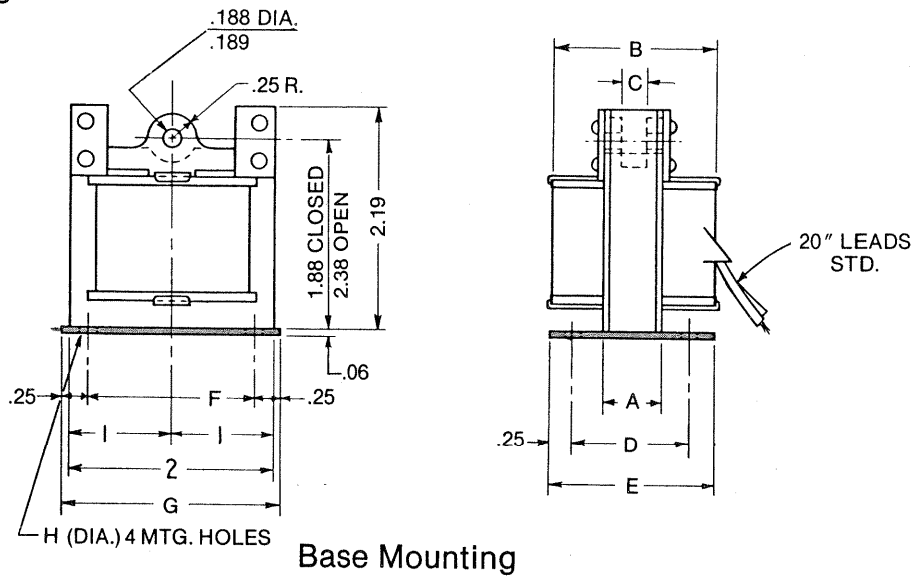
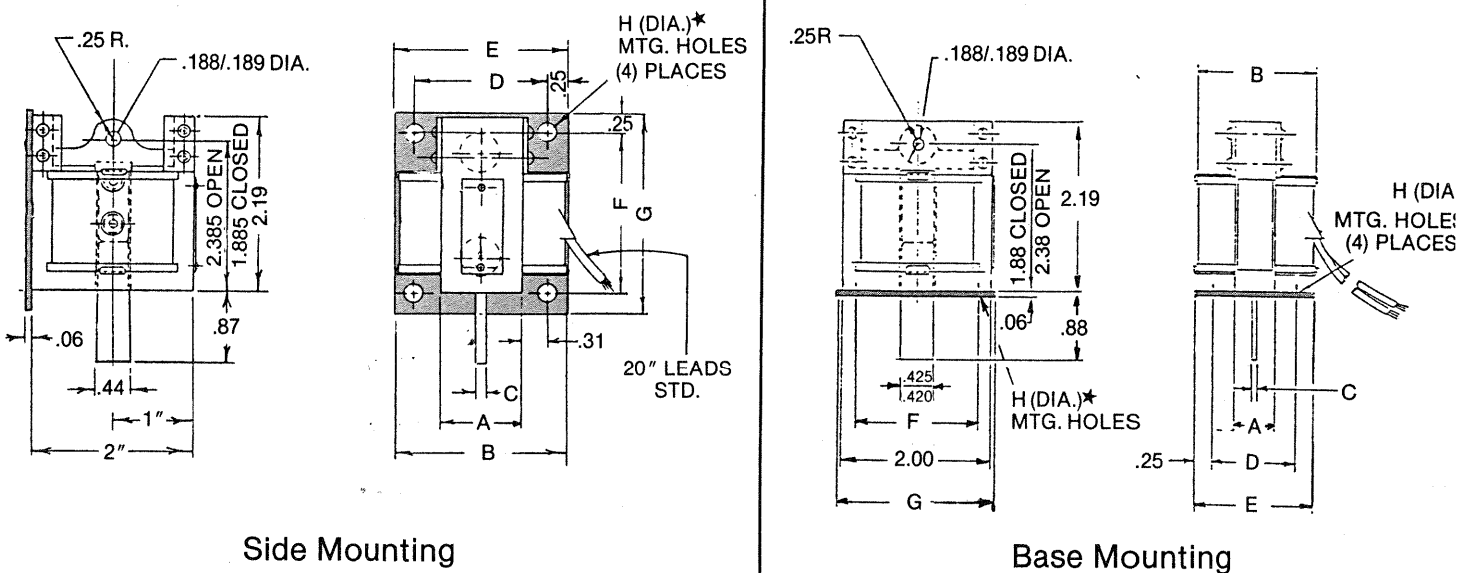


EB600 Series

EB600 Pull Type



EB600 Push Type



EB600 Pull Type, VARIABLE DIMENSIONS IN INCHES

Stacking Size	A	B	C	D	E	F	G	H★
.562	.562	1.62	.25	1.12	1.62	1.62	2.12	.17
.75	.75	1.81	.31	1.38	1.88	2.00	2.50	.20
1.00	1.00	2.06	.38	1.62	2.12	2.00	2.50	.25

★ Diameter of 4 Holes for Mounting.

EB600 Push Type. VARIABLE DIMENSIONS IN INCHES

Stacking Size	A	B	C	D	E	F	G	H★
.562	Not available as standard unit. See special solenoid catalog.							
1.00	1.00	2.06	.12	1.62	2.12	2.00	2.50	.25

★ Diameter of 4 Holes for Mounting.